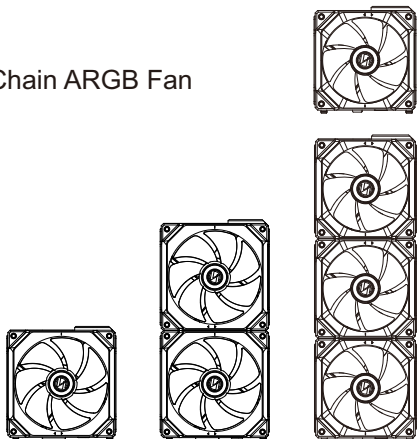


## UNI FAN SL RGB

Revolutionized Daisy-Chain ARGB Fan

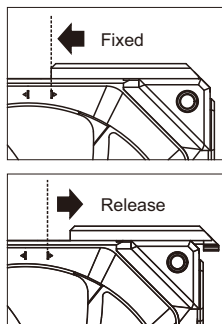
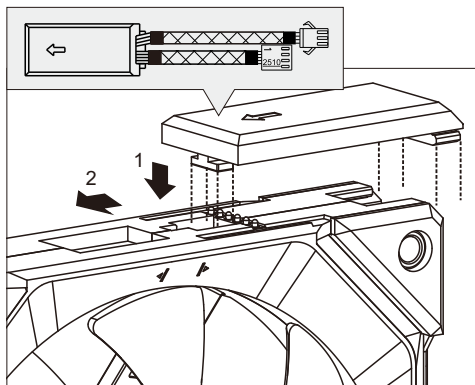
INSTALLATION GUIDE

安裝指南



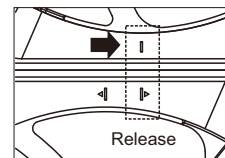
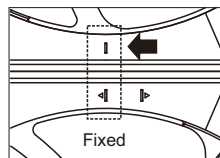
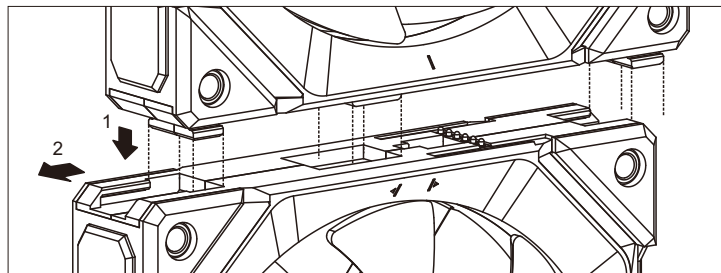
## FAN CABLE INSTALLATION

風扇線材安裝



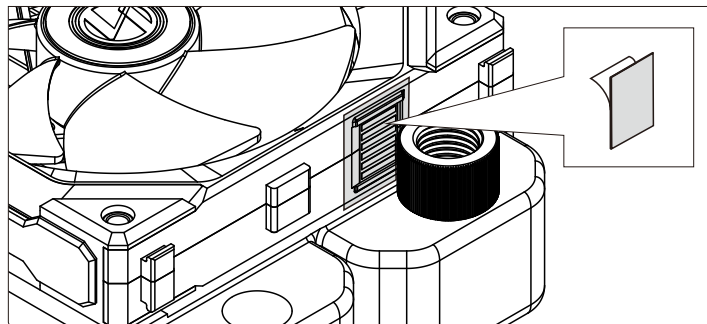
## FAN CONNECTION FAN

風扇連接風扇



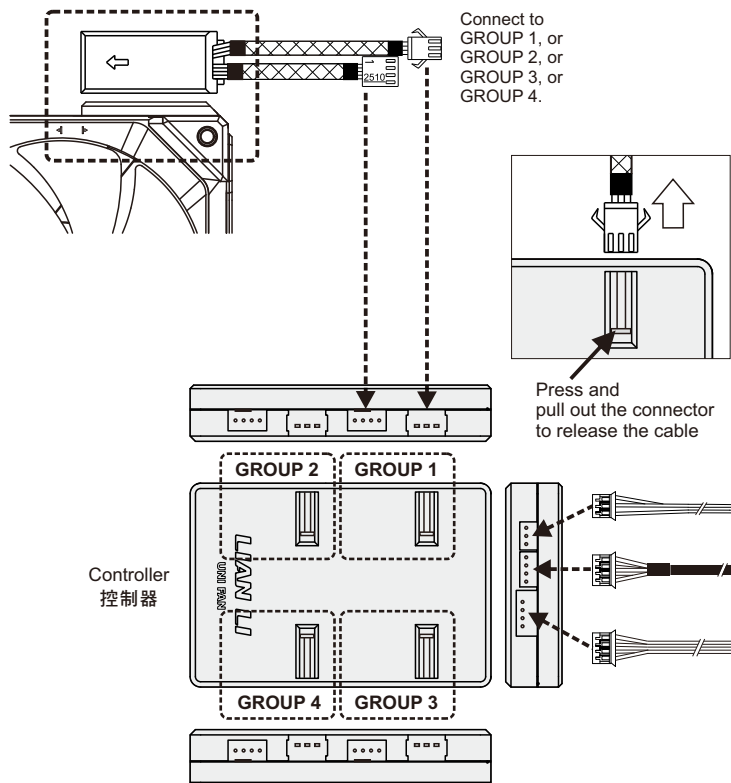
**Note!** When using the UNI FAN SL in a custom water cooling configuration, make sure that the fittings on the radiators do not interfere with the contact point on the side of the fans. We suggest to use the insulating tape to isolate contact points.

**注意!** 在自定義水冷配置中使用UNI FAN SL時，請確保散熱器上的配件不會干擾風扇側面的接觸點，我們建議使用絕緣膠帶隔離接觸點。



## CONTROLLER CABLE CONNECTION

### 控制器線材連接



## MOTHERBOARD SYNC

### 主機板 SYNC

MOTHERBOARD 5V ADDRESS LED HEADER



**警告:** 請不要連接錯誤類型的 LED 接頭，如果連接到 12V 接口，將造成永久損壞。

**Warning:** Do not connect the wrong type of LED connector. If it is connected to the 12 V connector, it will cause damage.

|                      |        |   |        |
|----------------------|--------|---|--------|
| 1 ADDRESS LED header |        |   |        |
| 1                    | +5V    | 2 | Data   |
| 3                    | No Pin | 4 | Ground |

